



# Three Compartment - No Drainboards

## Stainless Steel Compartment Sinks



Use your smart phone to scan the above QR code to visit our website:  
www.bk-resources.com

### Certifications:



Shown as:  
Model #s ending in S

### Features:

- 1 1/2" Rounded Front and Side Edges
- Accommodates 8" On Center Faucets
- Drains Included
- 9" Backsplash

### Options:

- Pre-Rinse Units & Faucets
- Lever Drains
- Upgraded Bullet Feet
- Slant Rack Shelf (BK-SSH)
- End Splash (BKS-RES)
- S/S Basket Drain (BKDR-4-304)

### Material:

- T-304 18 ga. Stainless Steel Deck & Bowls
- 1 5/8" Galvanized Legs
- Adjustable High Impact Corrosion Resistant Feet

### Model #s ending with "S":

- T-304 18 ga. Stainless Steel Deck & Bowls
- Stainless Steel Legs
- Stainless Steel End Bracing
- Adjustable Stainless Steel over Plastic Bullet Feet

Part Number	Unit Size (l x w)	Bowl Dim. (l x w x d)	Sets of Faucet Holes	Drainboard Size	Legs
BKS-3-15-14	50" x 20 <sup>13/16"</sup>	15" x 15" x 14"	1	None	Galvanized
BKS-3-15-14S	50" x 20 <sup>13/16"</sup>	15" x 15" x 14"	1	None	Stainless Steel w/ End Bracing
BKS-3-1620-12	53" x 25 <sup>13/16"</sup>	16" x 20" x 12"	1	None	Galvanized
BKS-3-1620-12S	53" x 25 <sup>13/16"</sup>	16" x 20" x 12"	1	None	Stainless Steel w/ End Bracing
BKS-3-18-12	59" x 23 <sup>13/16"</sup>	18" x 18" x 12"	1	None	Galvanized
BKS-3-18-12S	59" x 23 <sup>13/16"</sup>	18" x 18" x 12"	1	None	Stainless Steel w/ End Bracing
BKS-3-24-14	77" x 29 <sup>13/16"</sup>	24" x 24" x 14"	2	None	Galvanized
BKS-3-24-14S	77" x 29 <sup>13/16"</sup>	24" x 24" x 14"	2	None	Stainless Steel w/ End Bracing

PRODUCT DATA SHEET

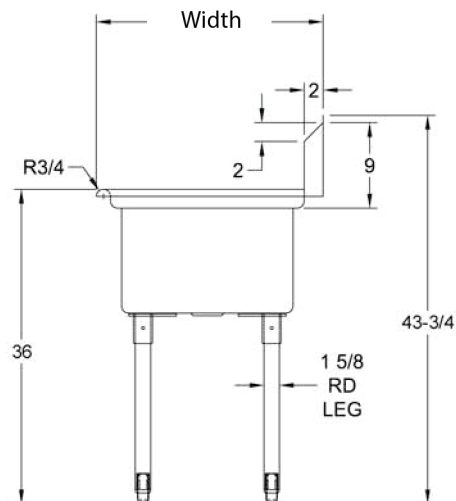
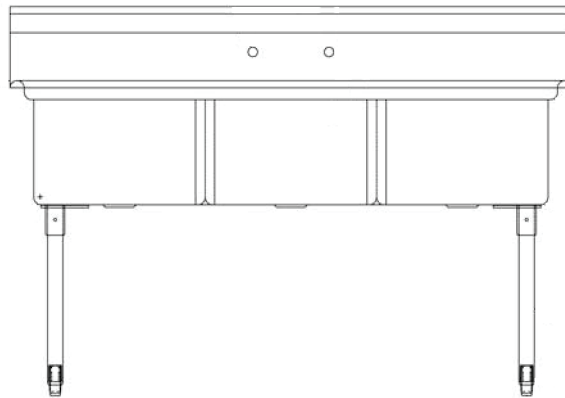
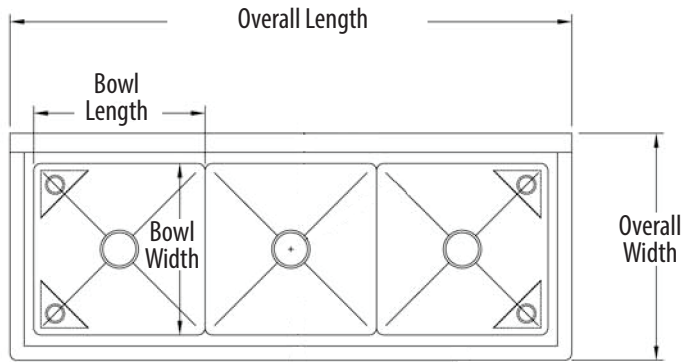
BK RESOURCES





# Three Compartment - No Drainboards

## Stainless Steel Compartment Sinks



PRODUCT DATA SHEET

BK RESOURCES

