

Item# \_\_\_\_\_  
Project: \_\_\_\_\_  
Qty: \_\_\_\_\_

# Glass Door Reach-In Refrigerator - Stainless Steel

**RR1G-HC**



**RR2G-HC**



Serv-Ware

## Features

- HC refrigerant
- CFC Free Refrigerant and Foam
- Electronic Thermostat and Digital LED Temperature Display for Accurate Control and Easy Reading
- Self-Closing Door
- Magnetic Gasket can be Replaced without any Tool
- Heating Element Conceal in Door Frame to Eliminate any Condensation
- Material: External: S/S 430  
Bottom of Internal: S/S 304, other Parts of Internal:  
Aluminum Painted
- UL Safety and UL Sanitation Approved

You will appreciate the attractive professional aesthetics of these units which will add curb appeal to any type of business. Our units are featured with aluminum painted interior, heavy duty 304 stainless steel floor, 430 stainless steel exterior and self-closing glass doors, digital controls with a LED readout and foamed in place polyurethane cell insulation. Unit is shipped with wheels installed.

The bottom mounted compressor designed to hold temperatures between 33° F and 41° F.

**Conforms to UL471, CSA C22.2 and NSF 7 Standards.**

**Two Year** - Parts & Labor on entire unit. Valid in United States  
**Three Year** - Additional Compressor, Part Only

**Serv-Ware**  
[www.servware.com](http://www.servware.com)

Phone:(800).768.5953

Revised 4/19

Fax:(800).976.1299



Item# \_\_\_\_\_

Project: \_\_\_\_\_

Qty: \_\_\_\_\_

# Glass Door Reach-In Refrigerator - Stainless Steel

## RR1G-HC

### Dimensions

Exterior Dimensions 26.8" W x 32.7" D x 82.7" H  
Net Volume 23 cu. ft.  
Shipping Weight 351 lbs.

### Construction

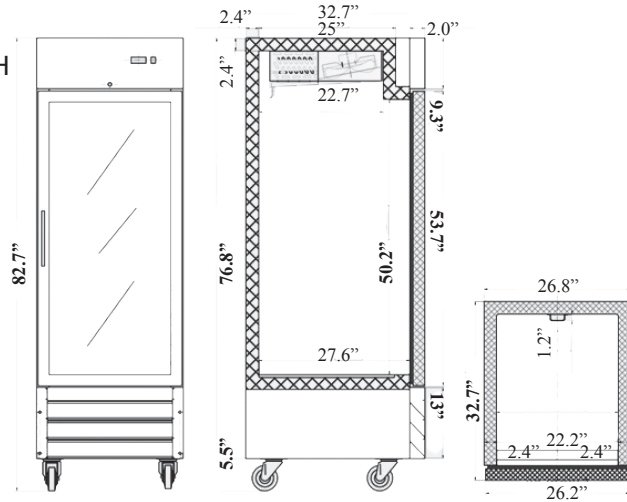
Exterior Material 430 Stainless Steel  
Interior Material Painted Aluminum  
304 S/S Floor  
Insulation Material CFC Free Foam  
Shelf Material 3 Epoxy Coated Wire

### Cooling

Temperature Range 33°F – 41°F  
Refrigerant R290  
Defrosting Every 6 Hours  
H/P 3/8

### Electrical

Voltage 115  
Amps 6  
Hz 60  
Phase 1



## RR2G-HC

### Dimensions

53.9" W x 32.7" D x 82.3" H  
49 cu. ft.  
538 lbs.

### Construction

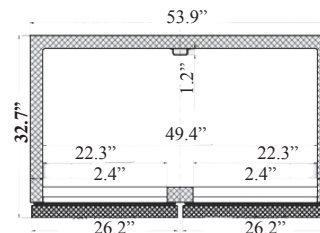
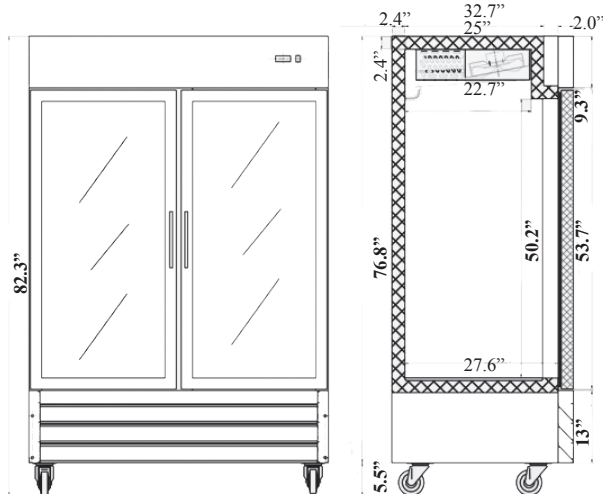
Exterior Material 430 Stainless Steel  
Interior Material Painted Aluminum  
304 S/S Floor  
Insulation Material CFC Free Foam  
Shelf Material 3 Epoxy Coated Wire

### Cooling

Temperature Range 33°F – 41°F  
Refrigerant R290  
Defrosting Every 6 Hours  
H/P 1/2

### Electrical

Voltage 115  
Amps 9  
Hz 60  
Phase 1



Serv-Ware  
www.servware.com

Phone: (800).768.5953

Revised 4/19

Fax: (800).976.1299



Serv-Ware