

Item# _____
Project: _____
Qty: _____

Reach-In Refrigerator

RR1-19-HC
One Door Refrigerator



RR1-HC*
One Door Refrigerator



RR2-35-HC
Two Door Refrigerator



RR2-HC*
Two Door Refrigerator



RR3-HC*
Three Door Refrigerator



Features

- HC refrigerant
- Now with stainless steel interior *
- Electronic Thermostat and Digital LED Temperature Display
- High Efficiency CFC Free Insulation
- Stainless Steel Front and Sides
- Self-Closing Doors with Full Length Handle, Remain Open Past 90°
- 3 Shelves Per Door
- Shipped with Casters Not Installed
- UL Safety and UL Sanitation Approved

You will appreciate the attractive professional aesthetics of these units which will add curb appeal to any type of business. Our units are featured with a heavy duty 304 stainless steel interior and 304 stainless steel floor, 430 stainless steel exterior door & front panel, self-closing lockable doors, digital controls with a LED readout and foamed in place polyurethane cell insulation.

All units are supplied with casters not installed (2 Brake and 2 Non Brake). The single door includes 3 epoxy coated wire shelves, the double door includes 6 epoxy coated wire shelves and the triple door includes 9 epoxy coated wire shelves, all with adjustable mounting brackets for greater flexibility. The bottom mounted compressor designed to hold temperatures between 33° F and 41° F.

The bottom mounted compressor designed to hold temperatures between 33° F and 41° F.

Conforms to UL471, CSA C22.2 and NSF 7 Standards.

Two Year - Parts & Labor on entire unit. Valid in United States
Three Year - Additional Compressor, Part Only

Serv-Ware
www.servware.com

Revised 4/19

Phone: (800).768.5953

Fax: (800).976.1299



Serv-Ware



Reach-In Refrigerator

RR-1-19-HC One Door

| | |
|----------------------|-----------------------------|
| Exterior Dimensions | 26.8" W x 25.6" D x 82.3" H |
| Net Volume | 19 cu. ft. |
| Shipping Weight | 275 lbs. |
| Exterior Material | 430 Stainless Steel |
| Interior Material | Painted Aluminum |
| Insulation Material | 304 S/S Floor |
| Shelf Material | CFC Free Foam |
| Temperature | Epoxy Coated Foam |
| Refrigerant | 33°F - 41°F |
| Defrosting | R290 |
| H/P | Every 6 Hours |
| Voltage / Hz / Phase | 115 / 60 / 1 |
| Amps | 6 |
| Nema Plug | 5-15P |

RR-1-HC One Door

| | |
|----------------------|-------------------------|
| Exterior Dimensions | 27" W x 33" D x 82.7" H |
| Net Volume | 23 cu. ft. |
| Shipping Weight | 314 lbs. |
| Exterior Material | 430 Stainless Steel |
| Interior Material | Stainless Steel |
| Insulation Material | 202 S/S Floor |
| Shelf Material | CFC Free Foam |
| Temperature | Epoxy Coated Foam |
| Refrigerant | 33°F - 41°F |
| Defrosting | R290 |
| H/P | Every 6 Hours |
| Voltage / Hz / Phase | 115 / 60 / 1 |
| Amps | 6 |
| Nema Plug | 5-15P |

RR-2-35-HC Two Door

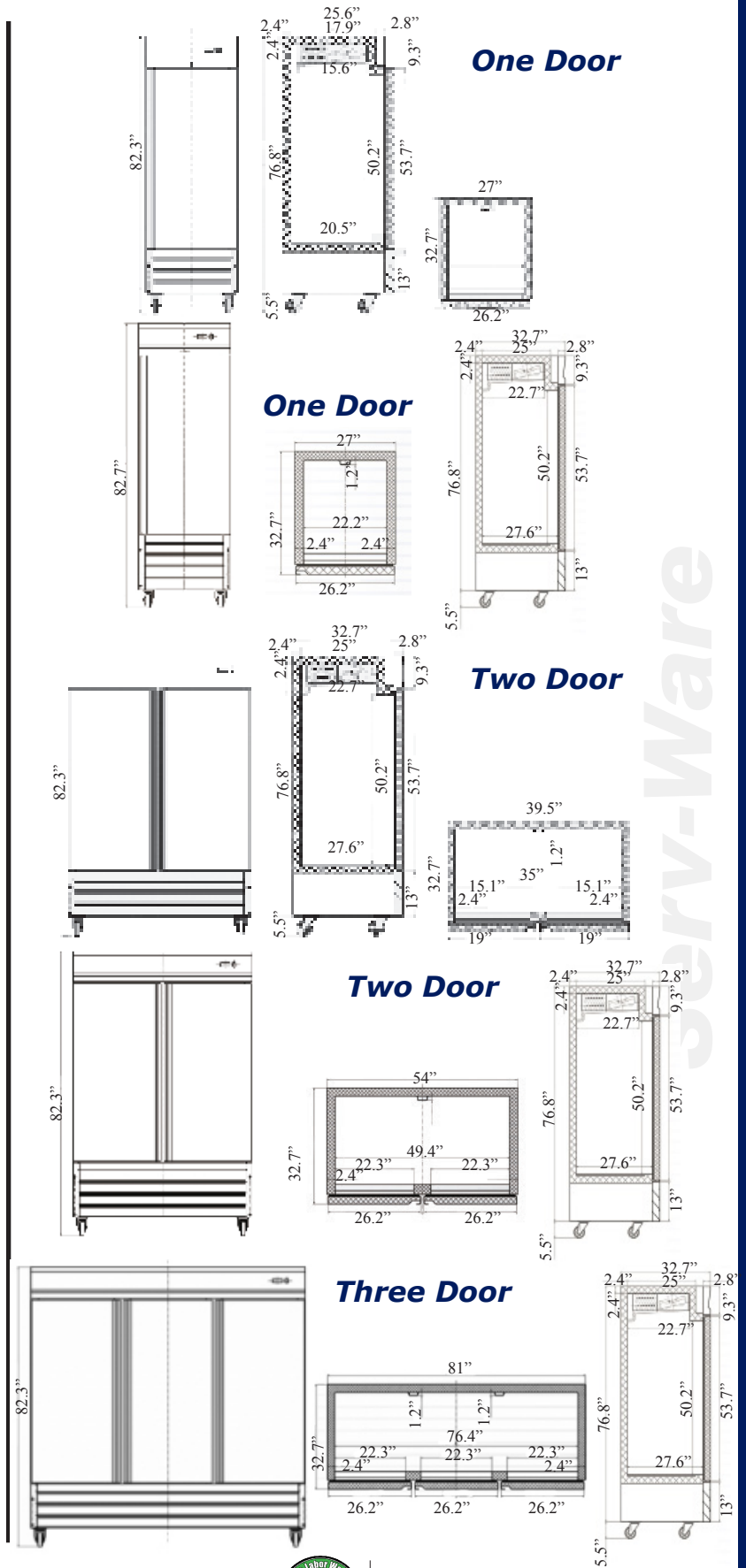
| | |
|----------------------|-----------------------------|
| Exterior Dimensions | 39.5" W x 32.7" D x 82.3" H |
| Net Volume | 35 cu. ft. |
| Shipping Weight | 420 lbs. |
| Exterior Material | 430 Stainless Steel |
| Interior Material | Painted Aluminum |
| Insulation Material | 304 S/S Floor |
| Shelf Material | CFC Free Foam |
| Temperature | Epoxy Coated Foam |
| Refrigerant | 33°F - 41°F |
| Defrosting | R290 |
| H/P | Every 6 Hours |
| Voltage / Hz / Phase | 115 / 60 / 1 |
| Amps | 9 |
| Nema Plug | 5-15P |

RR-2-HC Two Door

| | |
|----------------------|-------------------------|
| Exterior Dimensions | 54" W x 33" D x 82.3" H |
| Net Volume | 49 cu. ft. |
| Shipping Weight | 460 lbs. |
| Exterior Material | 430 Stainless Steel |
| Interior Material | Stainless Steel |
| Insulation Material | 202 S/S Floor |
| Shelf Material | CFC Free Foam |
| Temperature | Epoxy Coated Foam |
| Refrigerant | 33°F - 41°F |
| Defrosting | R290 |
| H/P | Every 6 Hours |
| Voltage / Hz / Phase | 115 / 60 / 1 |
| Amps | 9 |
| Nema Plug | 5-15P |

RR-3-HC Three Door

| | |
|----------------------|-------------------------|
| Exterior Dimensions | 81" W x 33" D x 82.3" H |
| Net Volume | 72 cu. ft. |
| Shipping Weight | 668 lbs. |
| Exterior Material | 430 Stainless Steel |
| Interior Material | Stainless Steel |
| Insulation Material | 202 S/S Floor |
| Shelf Material | CFC Free Foam |
| Temperature | Epoxy Coated Foam |
| Refrigerant | 33°F - 41°F |
| Defrosting | R290 |
| H/P | Every 6 Hours |
| Voltage / Hz / Phase | 115 / 60 / 1 |
| Amps | 10 |
| Nema Plug | 5-15 P |



Serv-Ware
www.servware.com

Phone: (800).768.5953

Revised 4/19

Fax: (800).976.1299

