

Item# _____
Project: _____
Qty: _____

Gas Hot Plates

SHPS-12



**SHPS-24
Not Shown**

**SHPS-36
Not Shown**

Serv-Ware

Features

- Octagon cast iron burner
- 25,000 BTU per burner
- 12" x 12" Cast iron grate
- Standby pilot for quick and easy start
- Durable, attractive stainless steel front and sides
- Zink alloy knob with chrome coating
- Bottom crumb tray
- Stainless steel adjustable heavy duty legs
- Built for natural gas and supplied with LP conversion kit

One Year - Parts & Labor on entire unit. Valid in United States
- Valid for commercial use only



Serv-Ware
www.servware.com

Phone:(800).768.5953

Revised 10/18

Fax:(800).976.1299



Intertek



Intertek

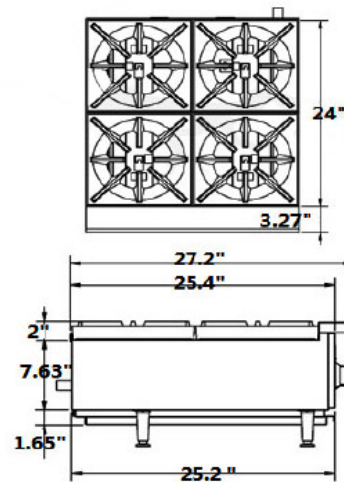
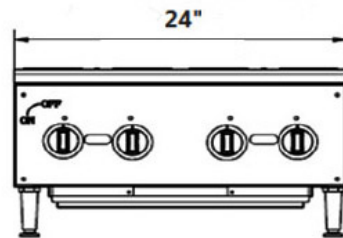
Item# _____
 Project: _____
 Qty: _____

Gas Hot Plates

SHPS-12

(Not Shown)

SHPS-24



SHPS-36

(Not Shown)

Model	Description	Dimensions (W x D x H)	Weight / lbs. (Shipping)
SHPS-12	2 Burner	12" x 27.2" x 11.28"	101 lbs.
SHPS-24	4 Burner	24" x 27.2" x 11.28"	161 lbs.
SHPS-36	6 Burner	36" x 27.2" x 11.28"	229 lbs.

Serv-Ware



Serv-Ware
www.servware.com

Phone: (800).768.5953

Revised 10/18

Fax: (800).976.1299



Intertek



Intertek