

Item# _____
Project: _____
Qty: _____

Undercounter Refrigerator & Freezer

UCR-60-HC / UCF-60-HC



UCR-72-HC / UCF-72-HC



Serv-Ware

Features

- Electronic Thermostat & Digital LED Temperature Display
- High Efficiency CFC Free Insulation
- Auto Defrosting & Auto Evaporation of Condensation Water
- Stainless Steel Front & Sides
- Self-Closing Doors, Remain Open Past 90°
- Shipped with Casters Installed

Conforms to UL471, CSA C22.2 and NSF 7 Standards.

Two Year - Parts & Labor on entire unit. Valid in United States
Three Year - Additional Compressor, Part Only



Serv-Ware
www.servware.com

Phone:(800).768.5953

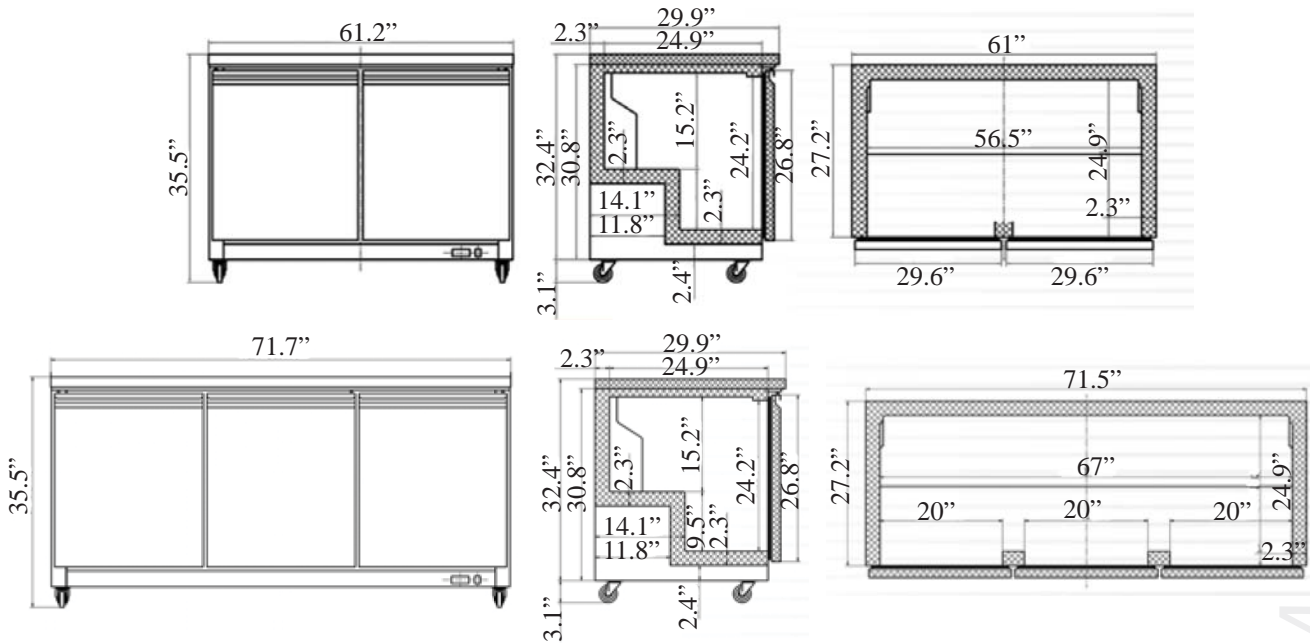
Revised 12/17

Fax:(800).976.1299



Item# _____
 Project: _____
 Qty: _____

Undercounter Refrigerator & Freezer



60" Refrigerator

Exterior Dimensions 61" W x 29.9" D x 35.5" H
Net Volume 15.5 cu. ft.
Shipping Weight 299 lbs

72" Refrigerator

Exterior Dimensions 71.5" W x 29.9" D x 35.5" H
Net Volume 18 cu. ft.
Shipping Weight 380 lbs

Construction

Exterior Material Stainless Steel
Interior Material ABS with S/S Floor
Insulation Material CFC Free Foam
Shelf Material Epoxy Coated Wire

Cooling

Temperature Range 33°F – 41°F
Refrigerant R134A
Defrosting Every 6 Hours
H/P ¼ (UCR-60) ⅜ (UCR-72)

Electrical

Voltage 115
Amps 5 (UCR-60) 7 (UCR-72)
Hz 60
Phase 1
Nema Plug 5-15P

60" Freezer

Exterior Dimensions 61.2" W x 29.9" D x 35.5" H
Net Volume 15.5 cu. ft.
Shipping Weight 388 lbs

72" Freezer

Exterior Dimensions 71.5" W x 29.9" D x 35.5" H
Net Volume 18 cu. ft.
Shipping Weight 399 lbs

Construction

Exterior Material Stainless Steel
Interior Material ABS with S/S Floor
Insulation Material CFC Free Foam
Shelf Material Epoxy Coated Wire

Cooling

Temperature Range -10°F – 10°F
Refrigerant R404A
Defrosting Every 6 Hours
H/P ⅝ (UCF-60) 1 (UCF-72)

Electrical

Voltage 115
Amps 10 (UCF-60) 12 (UCF-72)
Hz 60
Phase 1
Nema Plug 5-15P



Serv-Ware
www.servware.com
 Phone: (800).768.5953

Revised 12/17
 Fax: (800).976.1299

