



Outperform every day.™

Project:

Item Number:

Quantity:

BENCH AND FLOOR MIXERS

ITEMS

Item No.	Model No.	Description
40757	MIX1020	Bench – 20 Quart (US and Canada)
40758	MIX1030	Floor – 30 Quart (US and Canada)
40759	MIX1040	Floor – 40 Quart (US and Canada)
40760	MIX1060	Floor – 60 Quart (US and Canada)

FEATURES

- Three speed belt driven
- Safety cut-switch temporarily interrupts power if gears are changed without stopping the mixer
- 30 minute timer stops the mixer when timer ends
- 60 quart model includes bowl truck for convenient bowl transport
- Meat grinder, vegetable slicer, reducer kits, and other accessories available
- Number 12 hub accommodates Vollrath brand meat grinder and vegetable slicer attachments for flexibility between grinding, slicing, and mixing. For best results, Vollrath attachments are recommended.
- Comes standard with: dough hook, wire whisk, flat beater, stainless steel mixing bowl, and safety guard
- 6 ft. (1.8 m) cord with plug

WARRANTY

The warranty period is 2 years on parts, 1 year on labor and 5 years on belts. For full warranty details, please refer to www.Vollrath.com.



20 Quart



30 Quart



40 Quart



60 Quart

DESCRIPTION

Vollrath's line of mixers are a standard-setting advance in value: all the features, all the workhorse durability, and all the Vollrath service, reliability, and reputation in one tough range of mixers, ready to keep you mixing strong, serving long.

AGENCY LISTINGS



Due to continued product improvement, please consult www.vollrath.com for current product specifications.

Approvals	Date



Outperform every day.™

www.vollrath.com

The Vollrath Company, L.L.C.

1236 North 18th Street
Sheboygan, WI 53081-3201 U.S.A.
Main Tel: 800.624.2051 or 920.457.4851
Main Fax: 800.752.5620 or 920.459.6573
Customer Service: 800.628.0830
Canada Customer Service: 800.695.8560

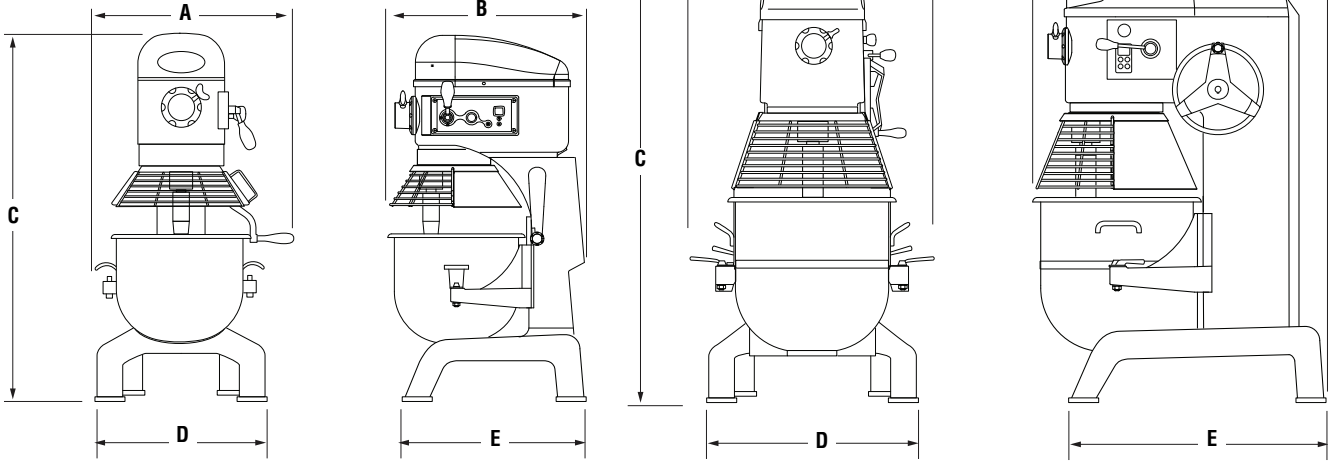
Technical Services
techservicereps@vollrathco.com
Induction Products: 800.825.6036
Countertop Warming Products: 800.354.1970
All Other Products: 800.628.0832

BENCH AND FLOOR MIXERS

DIMENSIONS (shown in inches (cm))

60 Quart Mixer

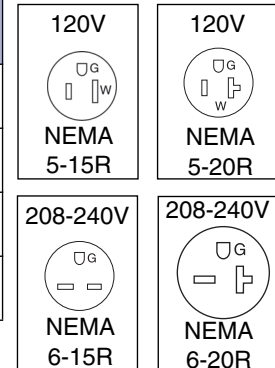
20/30/40 Quart Mixer (20 Quart Mixer Shown)



SPECIFICATIONS

Item No.	Style	Capacity	Dimensions					HP	Voltage	Amps	Hz	Plug
			(A) Width	(B) Depth	(C) Height	(D) Leg-to-Leg	(E) Leg-to-Leg					
40757	Bench	20 Qt.	20 ³ / ₈ (51.8)	20 ³ / ₈ (51.8)	35 ⁵ / ₈ (90.5)	16 ¹ / ₂ (41.9)	17 ¹ / ₄ (43.8)	1/2	110-120	10	60	NEMA 5-15P
40758	Floor	30 Qt.	25 (63.5)	24 ¹ / ₂ (62.2)	47 ⁷ / ₈ (121.6)	21 ¹ / ₄ (54)	21 (53.3)	1	110-120	16	60	NEMA 5-20P
40759	Floor	40 Qt.	26 ¹ / ₂ (67.3)	26 ⁹ / ₁₆ (67.5)	47 ¹ / ₈ (119.7)	21 ¹ / ₂ (54.6)	21 ¹ / ₄ (54)	1 ¹ / ₂	208-240	12	60	NEMA 6-15P
40760	Floor	60Qt.	27 ³ / ₈ (69.5)	30 (76.2)	55 ¹³ / ₁₆ (141.5)	27 ¹ / ₂ (70)	32 ³ / ₄ (83.2)	2	208-240	16	60	NEMA 6-20P

Receptacles



Outperform every day.™

www.vollrath.com

The Vollrath Company, L.L.C.

1236 North 18th Street
 Sheboygan, WI 53081-3201 U.S.A.
 Main Tel: 800.624.2051 or 920.457.4851
 Main Fax: 800.752.5620 or 920.459.6573
 Customer Service: 800.628.0830
 Canada Customer Service: 800.695.8560

Technical Services
techservicereps@vollrathco.com
 Induction Products: 800.825.6036
 Countertop Warming Products: 800.354.1970
 All Other Products: 800.628.0832