



Outperform every day.™

Project:  
Item Number:  
Quantity:

# HEAVY-DUTY AUTOMATIC SLICER



Heavy-Duty Automatic Slicer

## DESCRIPTION

The Vollrath Heavy-Duty Automatic Slicer is ideal for slicing meats and cheeses in higher-volume operations such as large restaurants or delis.

## Agency Listings



Certified to NSF/ANSI 8

Due to continued product improvement, please consult [www.vollrath.com](http://www.vollrath.com) for current product specifications.

## ITEMS

Item No.	Model No.	Description
40954	SLP300EA/S	12" Heavy-Duty Automatic Slicer, 35°

## FEATURES

- 3/4 peak HP heavy-duty motor for continuous use and higher torque for cheese slicing
- Variable speed automatic carriage for maximum operational efficiency
- Carriage can also be operated manually
- Expanded 1" (2.5 cm) slice thickness
- QuanTanium® coated non-stick plate increases glide performance and reduces clean-up time
- Included food fence firmly holds food product in place for optimal slicing
- Built-in sharpener
- 35 degree gravity feed maximizes productivity by reducing operator fatigue and discomfort
- Safety cover under motor
- Hard coated anodized aluminum body with stainless steel base
- Kickstand for easily and safely cleaning underneath the slicer
- Non-marking, non-skid rubber feet
- Belt driven. Durable, long-wearing belt provides reliable service.
- Solid aluminum slice adjustment knob for precise and consistent slice thickness
- Removable carriage for easy cleaning
- Large receiving tray
- Safe blade removal system
- Permanent blade rim guard for safety
- 6'4" (1.9 m) cord with plug

## ACCESSORIES

- 40896 - 12" serrated blade
- 40895 - 7" stainless steel vegetable chute with pusher
- 40893 - 12" safe blade removal tool

## Warranty

1 year on parts, 1 year on labor and 5 years on the belt. See [Vollrath.com](http://Vollrath.com) for full warranty details.

Approvals	Date



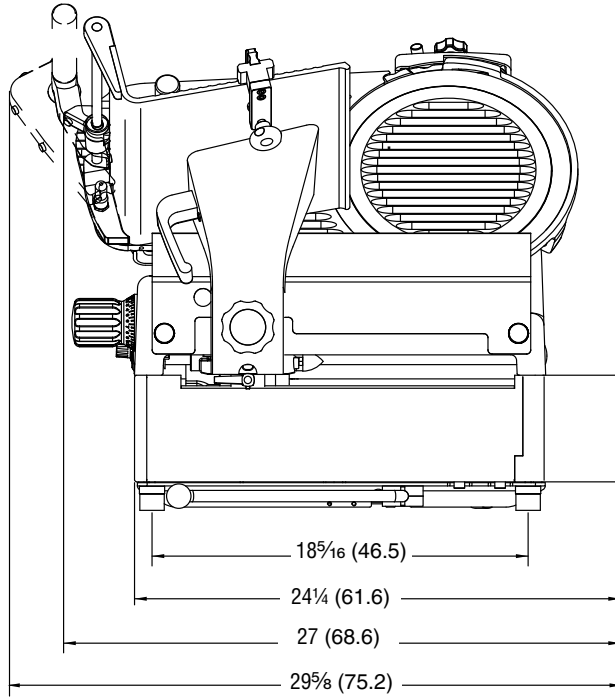
Outperform every day.™  
[www.vollrath.com](http://www.vollrath.com)

**The Vollrath Company, L.L.C.**  
1236 North 18th Street  
Sheboygan, WI 53081-3201 U.S.A.  
Main Tel: 800.624.2051 or 920.457.4851  
Main Fax: 800.752.5620 or 920.459.6573  
Customer Service: 800.628.0830  
Canada Customer Service: 800.695.8560

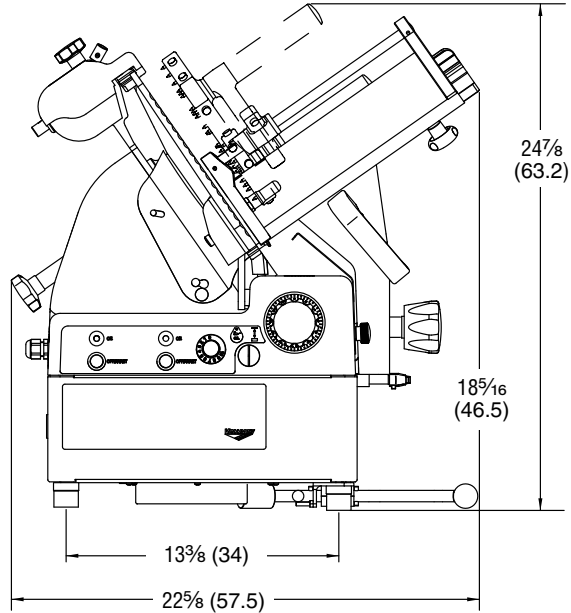
Technical Services  
[techservicereps@vollrathco.com](mailto:techservicereps@vollrathco.com)  
Induction Products: 800.825.6036  
Countertop Warming Products:  
800.354.1970  
All Other Products: 800.628.0832

# HEAVY-DUTY AUTOMATIC SLICER

## DIMENSIONS (Shown in inches (cm))



Side View

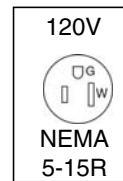


Front View

## SPECIFICATIONS

Item No.	Description	Peak HP	Voltage	Amps	Hertz	Weight Lbs (Kg)	Plug
40954	12" Heavy-Duty Automatic Slicer, 35°	3/4	120	4	60	115 (52)	NEMA 5-15P

### Receptacle



Outperform every day.™

[www.vollrath.com](http://www.vollrath.com)

**The Vollrath Company, L.L.C.**  
 1236 North 18th Street  
 Sheboygan, WI 53081-3201 U.S.A.  
 Main Tel: 800.624.2051 or 920.457.4851  
 Main Fax: 800.752.5620 or 920.459.6573  
 Customer Service: 800.628.0830

**Technical Services**  
[techservicereps@vollrathco.com](mailto:techservicereps@vollrathco.com)  
 Induction Products: 800.825.6036  
 Countertop Warming Products:  
 800.354.1970  
 All Other Products: 800.628.0832