



Outperform every day.™

Project:

Item Number:

Quantity:

Heavy-Duty Deli Electric Slicer

The Vollrath Company, L.L.C.

HEAVY-DUTY DELI ELECTRIC SLICER



Heavy-Duty Deli Electric Slicer

DESCRIPTION

The Vollrath Heavy-Duty Deli Electric Slicer is designed for high-volume retail operations that demand durability for continuous use, options to slice the widest variety of food and easy clean-up.

ITEMS

Item No.	Model No.	Description
40955	SLP330E/S	13" Heavy-Duty Deli Slicer, 35°

FEATURES

- 1/2 peak HP heavy-duty motor for continuous use and higher torque for cheese slicing
- Expanded 1" (2.5 cm) slice thickness
- QuanTanium® coated non-stick plate with titanium blended into the coating creates a harder and more durable surface than conventionally reinforced systems
- Non-stick plate increases glide performance and reduces clean-up time
- Built-in sharpener
- 35 degree gravity feed maximizes productivity by reducing operator fatigue and discomfort
- Extra-long slide rod to accommodate large loaves of meats and cheese
- Safety hand guard mounted to carriage
- Safety cover under motor
- Hard coated anodized aluminum body
- Non-marking, non-skid rubber feet
- Belt driven. Durable, long-wearing belt provides reliable service.
- Solid aluminum slice adjustment knob for precise and consistent slice thickness
- Carriage tray tilts open with zero blade exposure for safety and easy cleaning
- Large receiving tray
- Safe Blade Removal System
- Permanent blade rim guard for safety
- Kickstand to easily and safely clean underneath the slicer
- 6'4" (1.9 m) cord with plug

ACCESSORIES

- 40897 - 13" serrated blade
- 40895 - 7" stainless steel vegetable chute with pusher
- 40894 - 13" safe blade removal tool

Warranty

1 year on parts, 1 year on labor and 5 years on the belt. See Vollrath.com for full warranty details.

Agency Listings



Certified to NSF/ANSI 8

Due to continued product improvement, please consult www.vollrath.com for current product specifications.

Approvals	Date



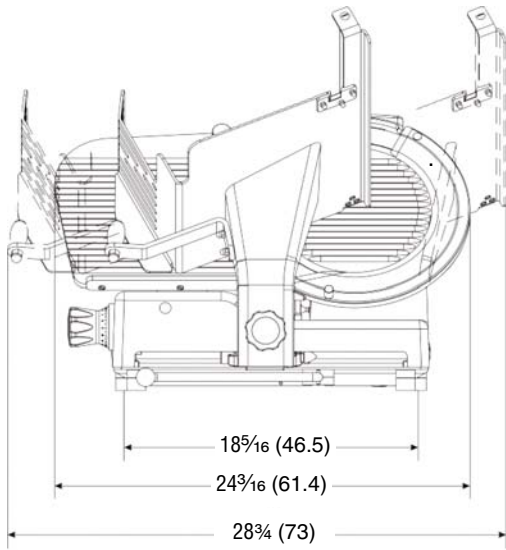
Outperform every day.™
www.vollrath.com

The Vollrath Company, L.L.C.
1236 North 18th Street
Sheboygan, WI 53081-3201 U.S.A.
Main Tel: 800.624.2051 or 920.457.4851
Main Fax: 800.752.5620 or 920.459.6573
Customer Service: 800.628.0830
Canada Customer Service: 800.695.8560

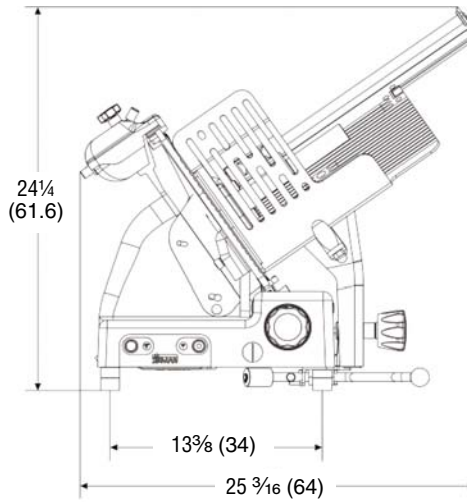
Technical Services
techservicereps@vollrathco.com
Induction Products: 800.825.6036
Countertop Warming Products:
800.354.1970
All Other Products: 800.628.0832

HEAVY-DUTY DELI ELECTRIC SLICER

DIMENSIONS (Shown in inches (cm))



Side View

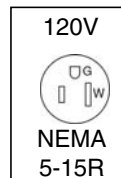


Front View

SPECIFICATIONS

Item No.	Description	Peak HP	Voltage	Amps	Hertz	Weight Lbs (Kg)	Plug
40955	13" Heavy-Duty Deli Slicer, 35°	1/2	120	2	60	81 (37)	NEMA 5-15P

Receptacle



Outperform every day.™

www.vollrath.com

The Vollrath Company, L.L.C.
 1236 North 18th Street
 Sheboygan, WI 53081-3201 U.S.A.
 Main Tel: 800.624.2051 or 920.457.4851
 Main Fax: 800.752.5620 or 920.459.6573
 Customer Service: 800.628.0830

Technical Services
techservicereps@vollrathco.com
 Induction Products: 800.825.6036
 Countertop Warming Products:
 800.354.1970
 All Other Products: 800.628.0832